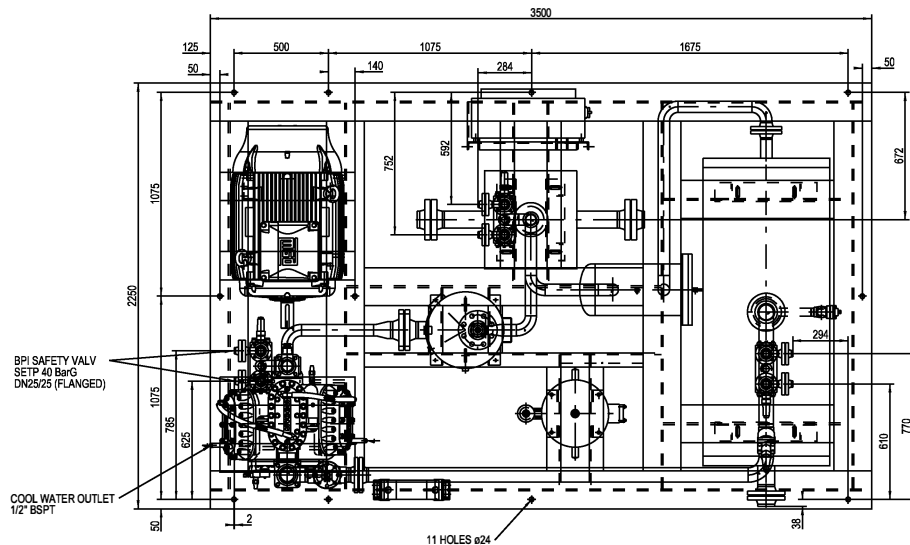
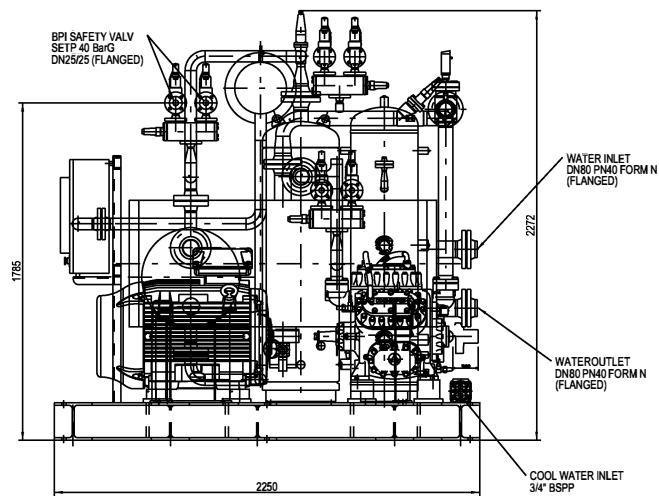
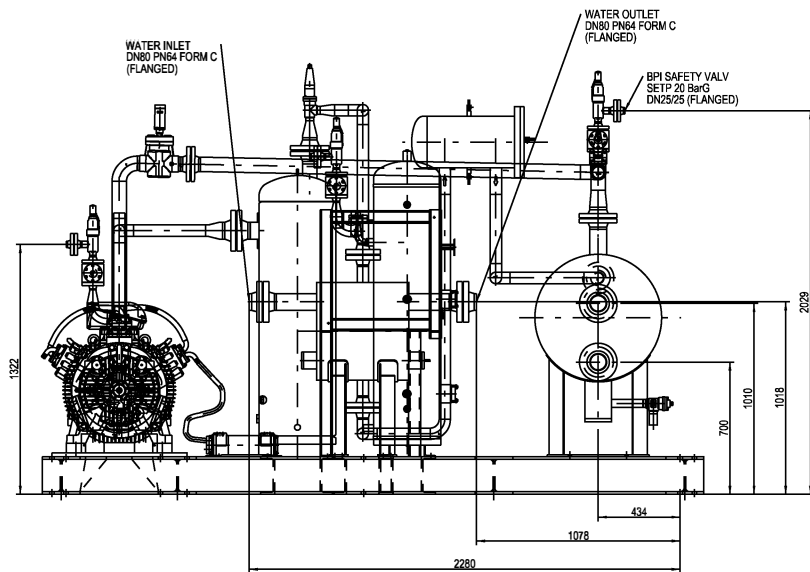


THIS DOCUMENT MUST BE TREATED AS CONFIDENTIAL. IT MUST NOT BE COPIED, DISTRIBUTED TO OTHERS OR ITS CONTENTS BE USED OR COMMUNICATED EITHER IN WHOLE OR IN PART WITHOUT PERMISSION OF MAYEKAWA EUROPE N.V., ALL RIGHTS ARE RESERVED.



PRELIMINARY DRAWING I

NOTE: FOR MORE ACCURATE TRANSPORT DIMENSIONS
PLEASE CONTACT MAYEKAWA EUROPE
ONE WEEK IN ADVANCE OF FORESEEN SHIPMENT DATE.

EMPTY WEIGHT: ±.....Kg

MAYEKAWA

www.mayekawa.eu

Drawn by P. DE CLEIR	Date 17.05.16	Title
Ch'd by JBATHIN	Date 18.05.16	
App'd by -	Date -	
Glovespart code: n/a		

Scale	Size	Sheet
1/20	A2	1 of 1
Replaced by: n/a		

Weight	g
Rev.	0